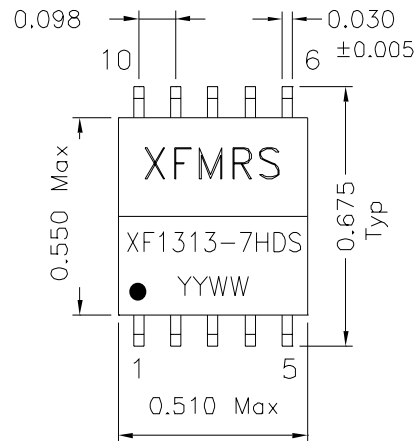
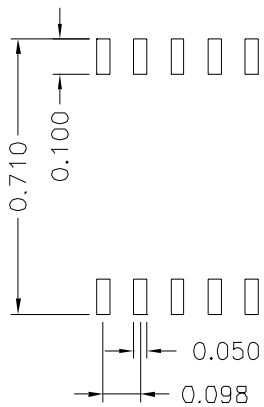
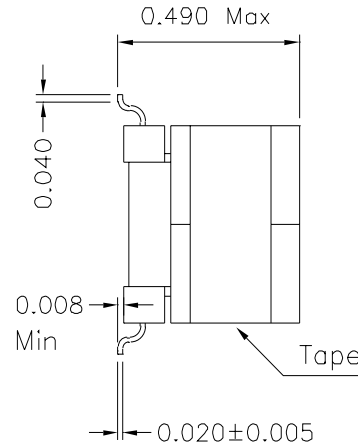


1. Mechanical Dimensions:

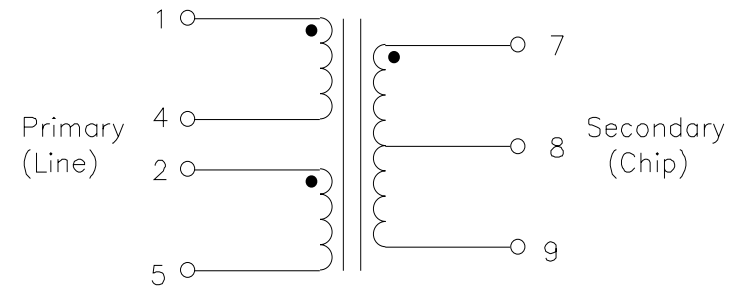


CO-PLANARITY: 0.004 Max



Suggested PCB Layout

2. Schematic:



3. Electrical Specifications:

OCL: (Pins 1-5) 2.0mH $\pm 6\%$ 10KHz, .1V 0/100mAdc

Leakage L: (Pins 1-5) 35.0uH Max 100KHz, 0.1V
Short Pins 9-7, tie 4-2

Cw/w: (Pins 1-9) 60pF Max 100KHz, .1V (Tie 2&4)

Turns Ratio: (1-5):(9-7) 2.3CS:1CT $\pm 2\%$ Tie 2-4

DC Res: (Pins 7-9) 1.37 Ohms $\pm 15\%$

DC Res.: (Pins 1-4) 0.500 Ohms $\pm 15\%$

DC Res.: (Pins 2-5) 0.500 Ohms $\pm 15\%$

HYPOT: 3000VAC Chip-Line

HYPOT: 2000VAC Wdgs-Core

Operating Temp.: -40 to +85°C

DOC. REV: A/2

XFMRS Inc	Title: HDLS2 TRANSFORMER			
	UNLESS OTHERWISE SPECIFIED TOLERANCES: .xxx ± 0.010 Dimensions in INCH		P/N: XF1313-7HDS	REV. A
	DWN.	BW	Sep-29-99	
	CHK.	AEI	Sep-29-99	
SHEET 1 OF 1	APP.	Joe Huff	Sep-29-99	